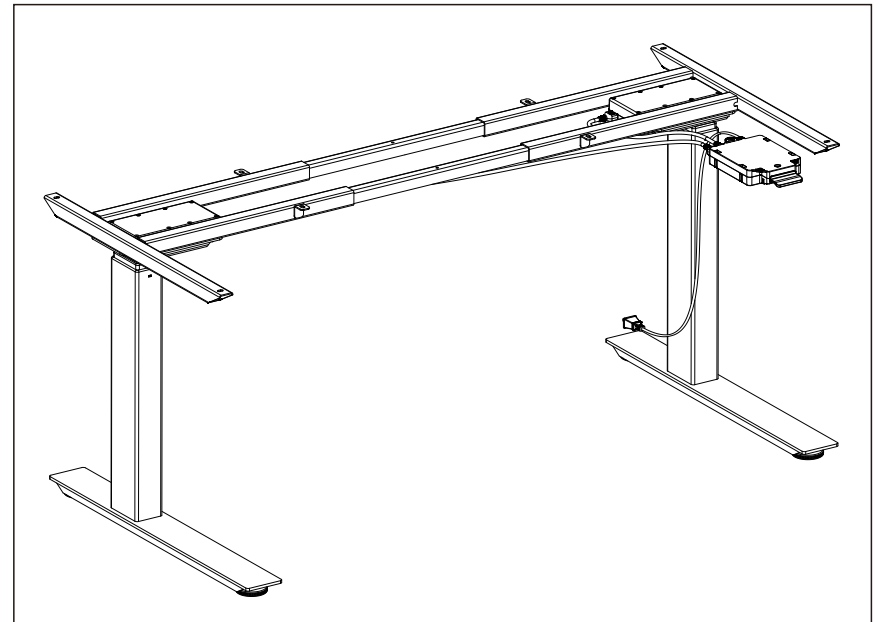


SUN-FLEX® DESK 600606



Assembly manual

SUN-FLEX®DESK 600606

Electric control part:

Input voltage: 100-240V
Output voltage: 24V DC, Max. 6A
Duty cycle: 10% MAX 2 min on 18 min off
Switch power supply, low energy consumption
Intuitive control
APP control system

Desk frame part:

Built-in limit switch
Dynamic load: 120KG
Static load: 140KG
Load speed: 30mm/s

Safety and warnings:

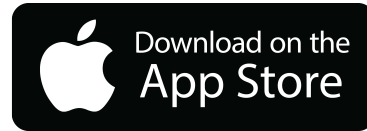
This appliance can be used by children aged from 8 years and above and persons with reduced physical, sensory or mental capabilities or lack of experience and knowledge if they have been given supervision or instruction concerning use of the appliance in a safe way and understand the hazards involved. Children shall not play with the appliance. Cleaning and user maintenance shall not be made by children without supervision.

Installation of control box

- Attach the control box to the motor cable/cables.
- Attach the power cable to the control box.
- Assemble the control box to the underside of the desktop at preferred place with the screws incl.
- Use the intuitive control to adjust to preferred desk height.

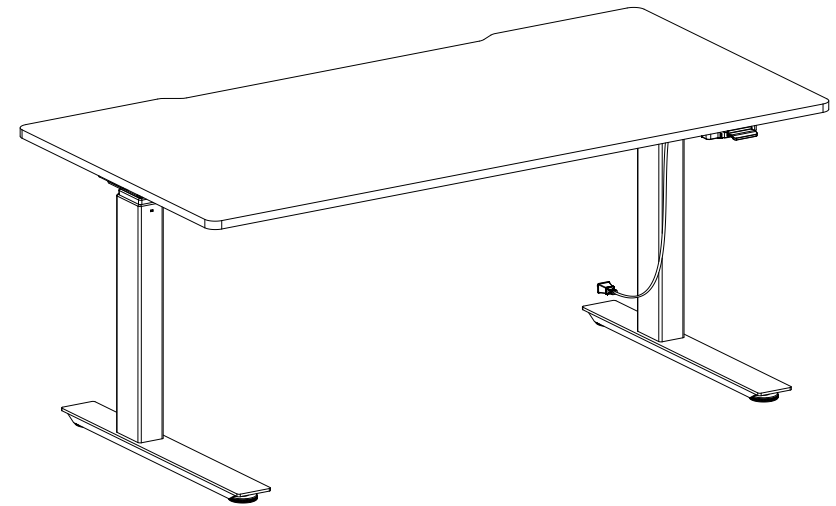
Installation of APP/control box

- Download the SUN-FLEX®DESK app from APP Store or Google Play.
- Attach the control box to the motor cable/cables.
- Attach the power cable to the control box.
- Attach the USB app stick to the USB slot on the control box.
- Assemble the control box to the underside of the desktop at preferred place with the screws incl.
- Open the SUN-FLEX®DESK app and attach via Bluetooth (recommended). Make sure the connection is established.
- Name desk and make your individual settings in the SUN-FLEX®DESK app.



Assembly manual

7



Correct Disposal of this product

This marking indicates that this product should not be disposed with other household wastes throughout the EU.

To prevent possible harm to the environment or human health from uncontrolled waste disposal, recycle it responsibly to promote the sustainable reuse of material resources. To return your used device, please use the return and collection systems or contact the retailer where the product was purchased. They can take this product for environmentally safe recycling.

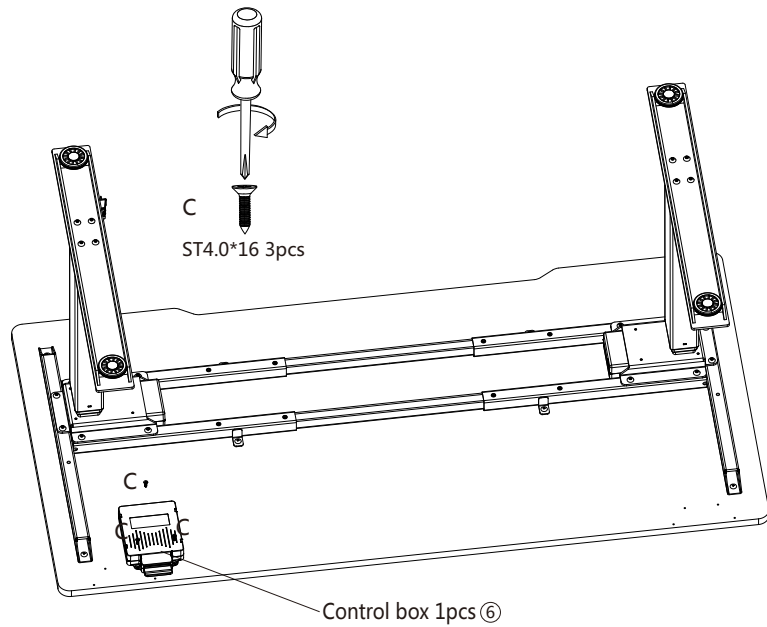
RoHS



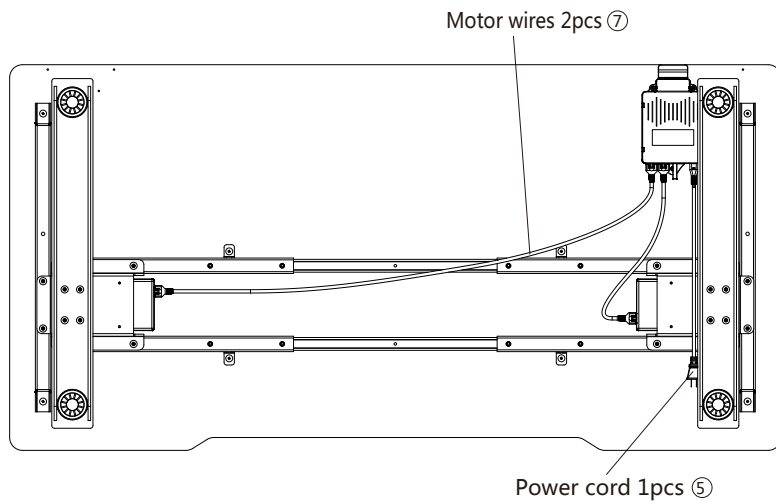
CE

Assembly manual

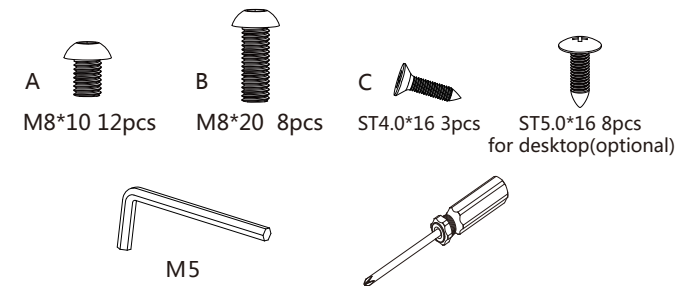
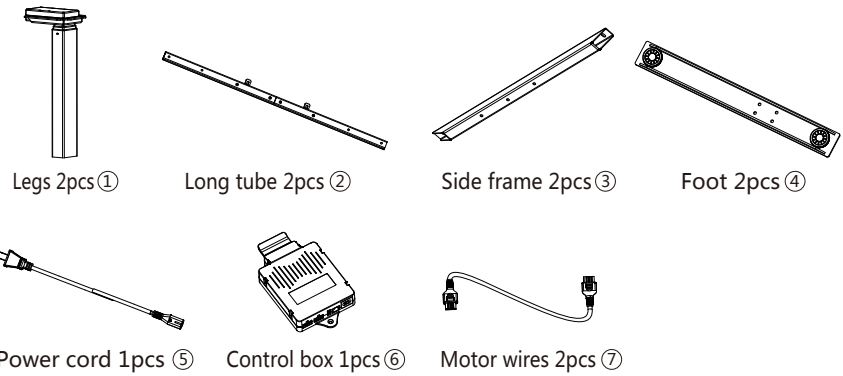
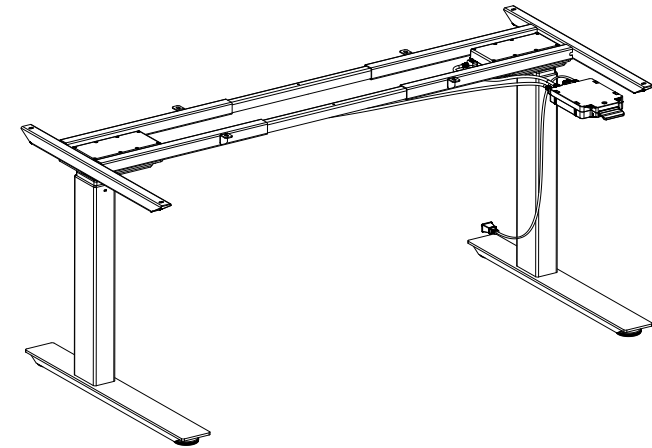
5



6

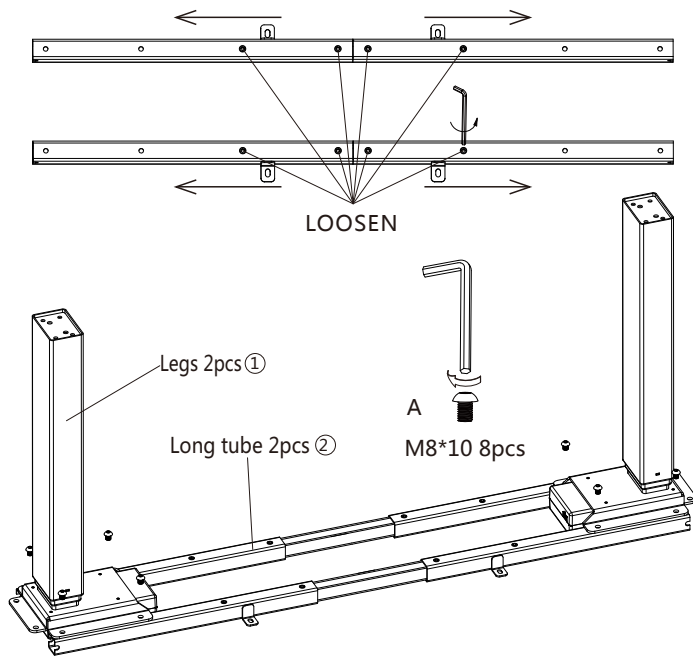


Assembly manual

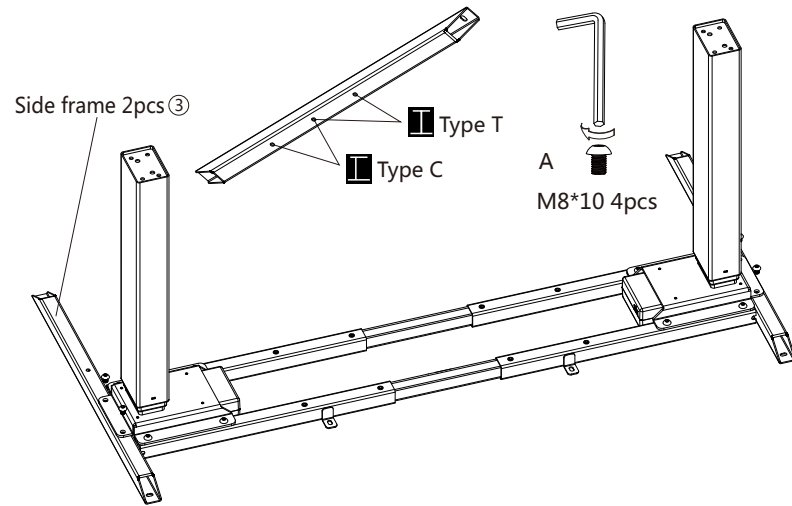


Assembly manual

1

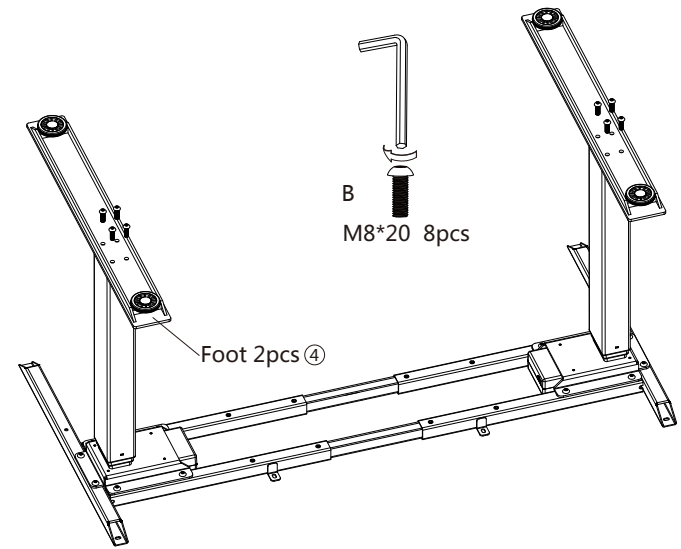


2



Assembly manual

3



4

