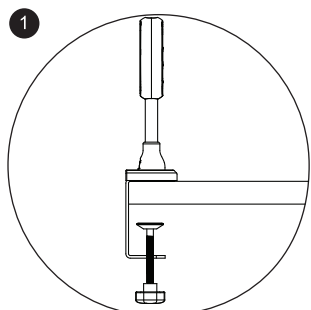
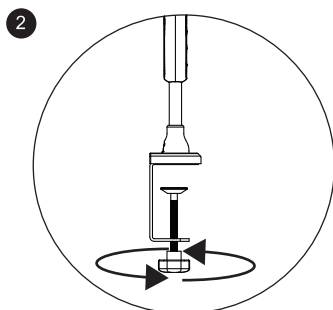


SUN-FLEX®DESKLITE

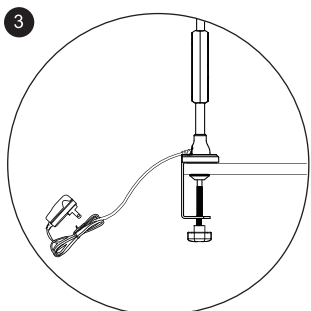
Installation



1. Place the clamp in place as shown and tighten the pin.

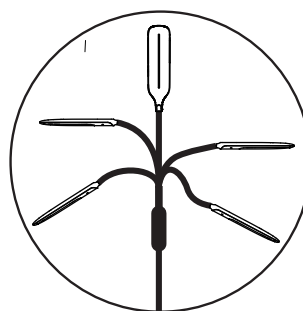
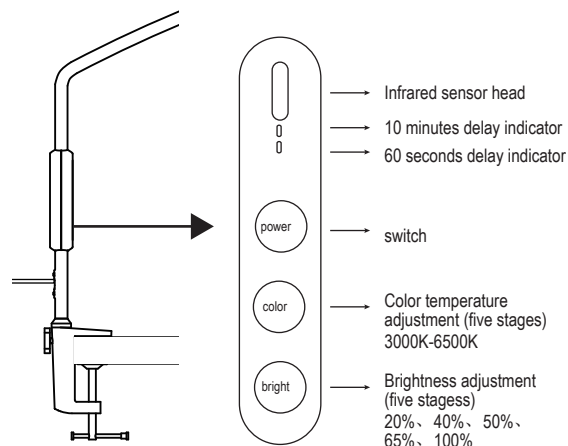


2. Hold the light pole as shown and tighten the side pin.



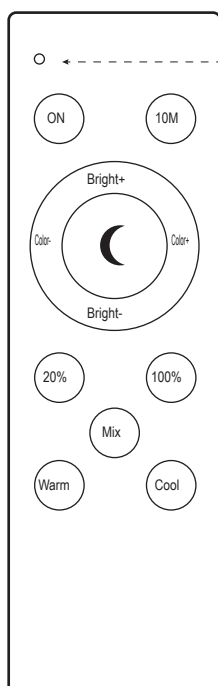
3. Properly connect power cord, adjust the lighting angle then to use.

Details



Hose can be bent according to the actual lighting needs, but not excessive distortion, excessive distortion will cause the hose deformation, restore Complex to less than the original, affecting the service life.

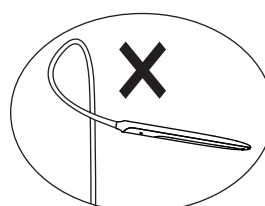
Remote control



1. (○): Indicator light
2. (ON): Switch
3. (10M): 10 minutes delay turn off the light
4. (Bright +): Increase the brightness
5. (Bright -): Reduce the brightness
6. (color +): Increase the color temperature
7. (color -): Reduce color temperature
8. (☾): night light function
9. (20%): Brightness 20%
10. (100%): brightness 100%
11. (Mix): the middle color temperature
12. (Warm): warm light
13. (Cool): white light

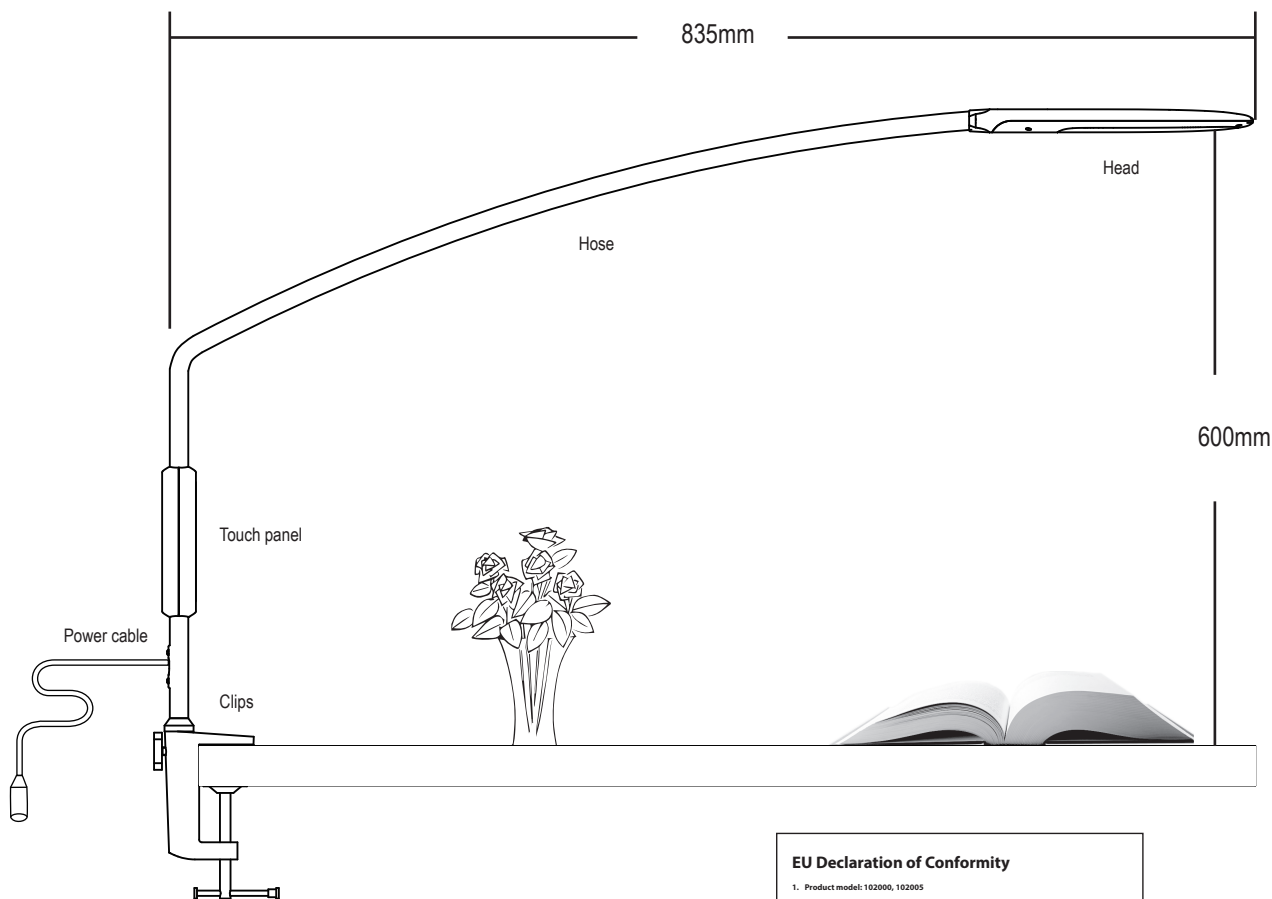
Precautions

- ① Please use the product delivery power adapter.
- ② When adjusting the angle, do not over-bend the hose to avoid damaging the hose.
- ③ Lamps only for indoor use.
- ④ Do not use this product on the surface of high temperature, flammable objects or in humid environment to avoid damage or short road.
- ⑤ Do not disassemble the lamp by yourself to avoid unnecessary loss.
- ⑥ The lamp light source is irreplaceable; when the light source to its end of life, the entire lamp should be replaced.
- ⑦ Clamp folder the thickness of the material is recommended within 30mm, on the contrary will result in a fixed lamp is not strong.
- ⑧ Clip mouth surface to be flat, on the contrary will result in fixed lighting is not strong.



This operation is not correct, please install and use the correct way.

Product Structure



Product parameters

Name of the product	SUN-FLEX® DESKLITE
input power	9W
Power source	60×0.2W/LED
Color temperature	3000K-6500K
Input voltage	100-240V-50/60Hz
light source	LED
colour	Black / White
Product List	Light body + clip + power adapter + remote control + manual
Material	ABS, iron, silica gel
Carton size	438×205×48 (mm)
net weight	About 600 grams
Adjust the angle	About 60 degrees
Remote control distance	About 3m
Remote control	Incl. No batteries incl.
Art.no	102000 (White) 102005 (Black)

EU Declaration of Conformity

- Product model: 102000, 102005
- Name and address of the manufacturer or his authorised representative:
Fridslemyan AB/SUN-FLEX
Tegelbruksvägen 1
517 91 Bollebygd, Sweden
- This declaration of conformity is issued under the sole responsibility of the manufacturer.
- Object of the declaration:
Equipment: Desk lamp
Brand name: SUN-FLEX
Model/type: 102000, 102005
- The object of the declaration described above is in conformity with the relevant Union harmonization legislation:
Low Voltage Directive (LVD) 2014/35/EU
Electromagnetic Compatibility Directive (EMC) 2014/30/EU
Restriction of Hazardous Substances (RoHS) Directive 2011/65/EU
- References to the relevant harmonised standards used or references to the other technical specifications in relations to which conformity is declared:
LVD: EN 60335-2-2012
EN 60335-2-7:2010
EMC: EN 55014-1:2006 + A1:2009 + A2:2011
EN 55014-2:1997 + A1:2001 + A2:2008
RoHS: EN 50581:2012
- Signed for and on behalf of:
Bollebygd 2019-09-16
Manufacturer Fridslemyan AB/SUN-FLEX
Joakim Petsson

SUN-FLEX



Tegelbruksvägen 1, SE-517 91 Bollebygd, Sweden

Tel: +46 322 127 00

info@sun-flex.com

www.sun-flex.com