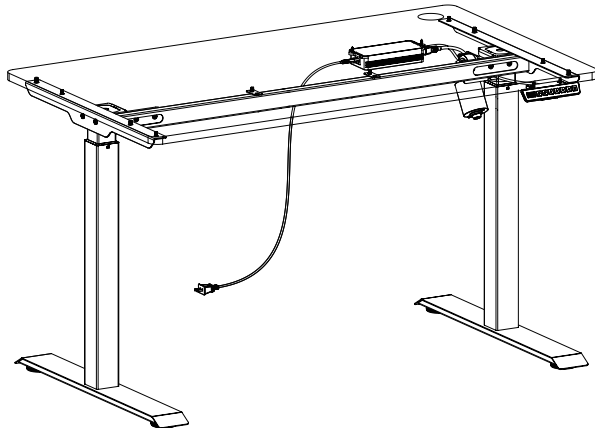


SUN-FLEX®DESKFRAME 600602
SUN-FLEX®DESKFRAME 600702
SUN-FLEX®DESKFRAME 600802



Assembly manual

SUN-FLEX®DESKFRAME 600602

SUN-FLEX®DESKFRAME 600702

SUN-FLEX®DESKFRAME 600802

Electric control part:

Input voltage: 100-240V

Output voltage: 29V DC 3.0A

Duty cycle: 10% MAX 2 min on 18 min off

Switch power supply, low energy consumption

Intuitive control

Desk frame part:

Built-in limit switch

Dynamic load: 80KG

Static load: 100KG

Load speed: 30mm/s

Lift range: 700mm---1160mm

Length of adjusting range:

700mm~1400mm

Installation of control box

-Attach the control box to the motor cable/cables.

-Attach the power cable to the control box.

-Assemble the control box to the underside of the desktop at preferred place with the screws incl.

-Use the intuitive control to adjust to preferred desk height.

Safety and warnings:

This appliance can be used by children aged from 8 years and above and persons with reduced physical, sensory or mental capabilities or lack of experience and knowledge if they have been given supervision or instruction concerning use of the appliance in a safe way and understand the hazards involved. Children shall not play with the appliance. Cleaning and user maintenance shall not be made by children without supervision.

Correct Disposal of this product

This marking indicates that this product should not be disposed with other household wastes throughout the EU.

To prevent possible harm to the environment or human health from uncontrolled waste disposal, recycle it responsibly to promote the sustainable reuse of material resources. To return your used device, please use the return and collection systems or contact the retailer where the product was purchased.

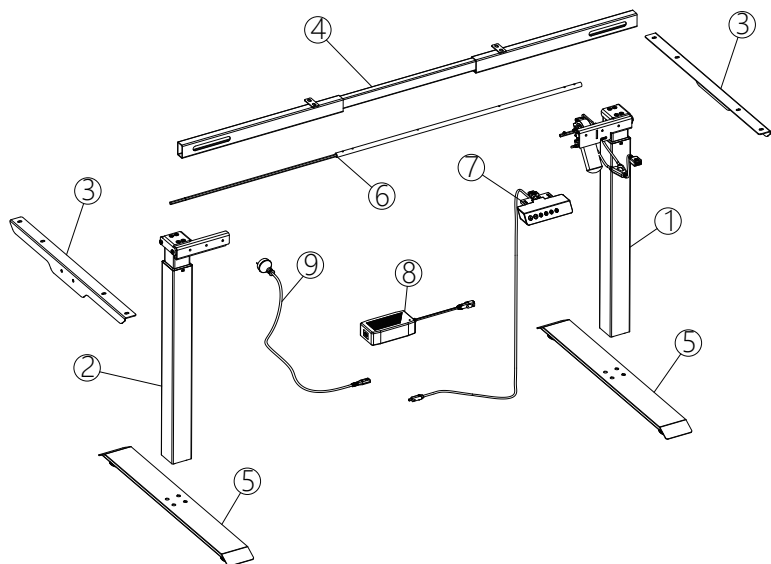
They can take this product for environmentally safe recycling.

RoHS







Installation instruction

Table top not included



HARDWARE INCLUDED

A QTY:10	B QTY:8	C QTY:2	D QTY:10
			
M6*12	M8*30	M4.2*16	ST5.0*16 (optional)

TOOLS INCLUDED



M5



M4



M2.5

TOOLS REQUIRED




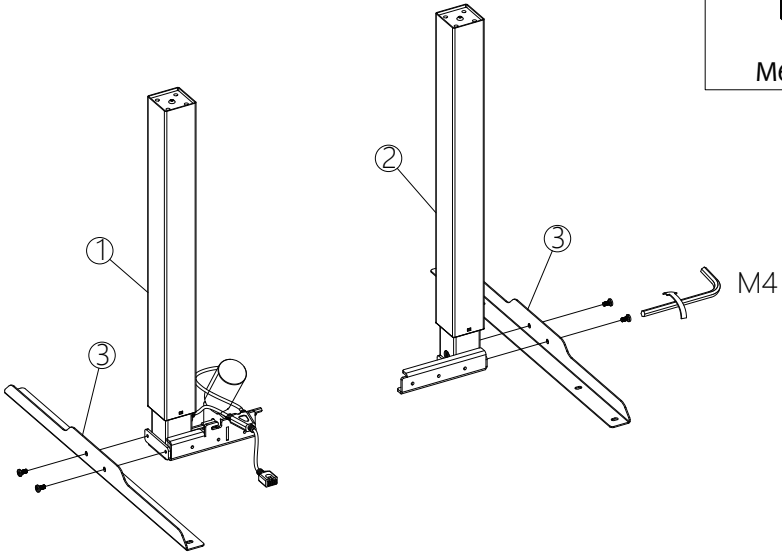
OR




INSTALLATION INSTRUCTION

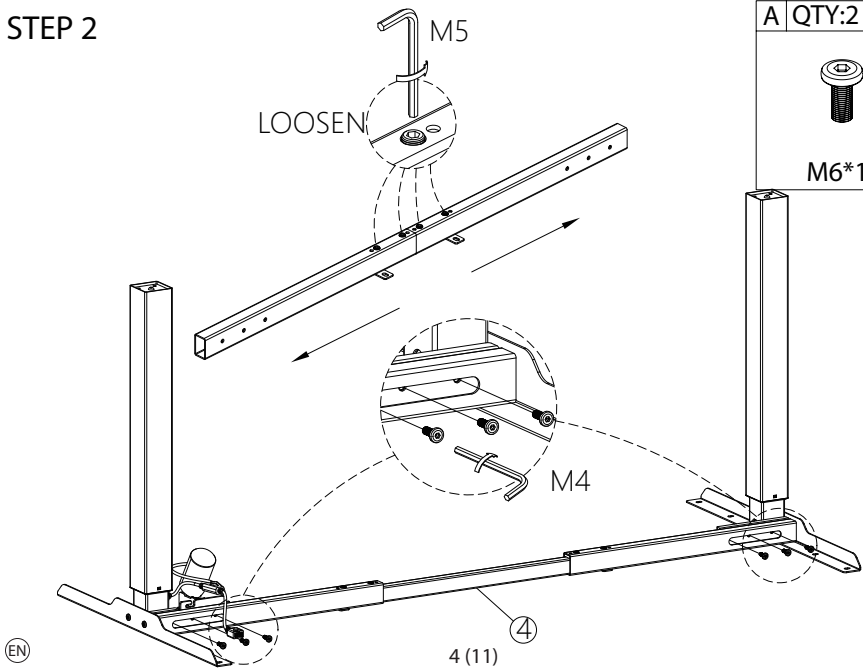
STEP 1

A	QTY:4
	
M6*12	



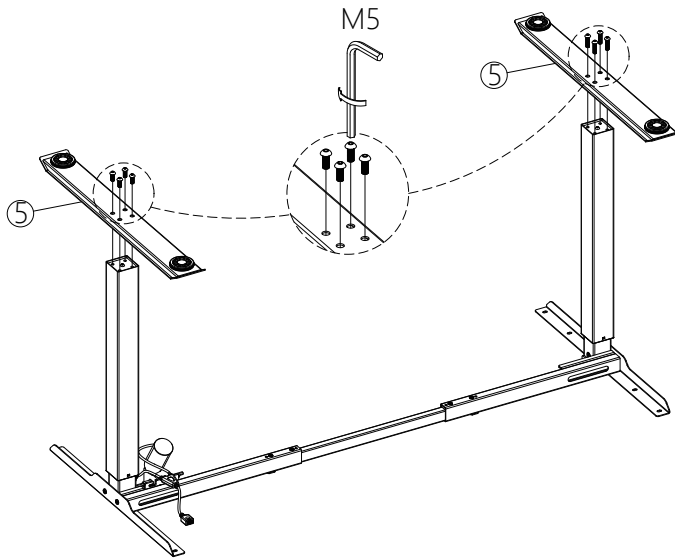
STEP 2

A	QTY:2
	
M6*12	

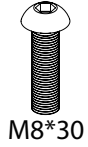


INSTALLATION INSTRUCTION

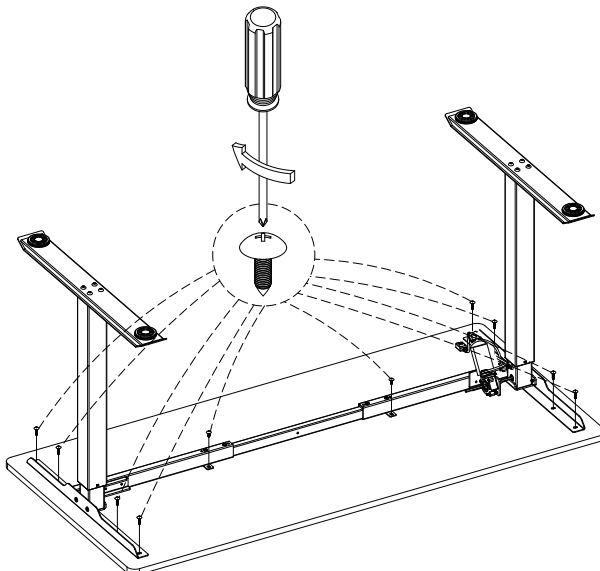
STEP 3



B QTY:8



STEP 4

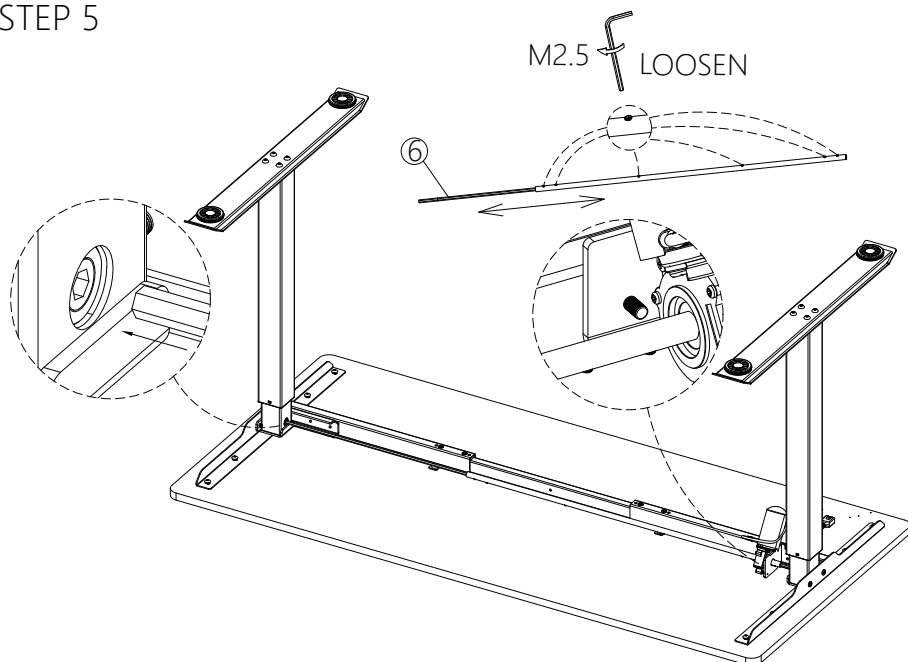


D QTY:10

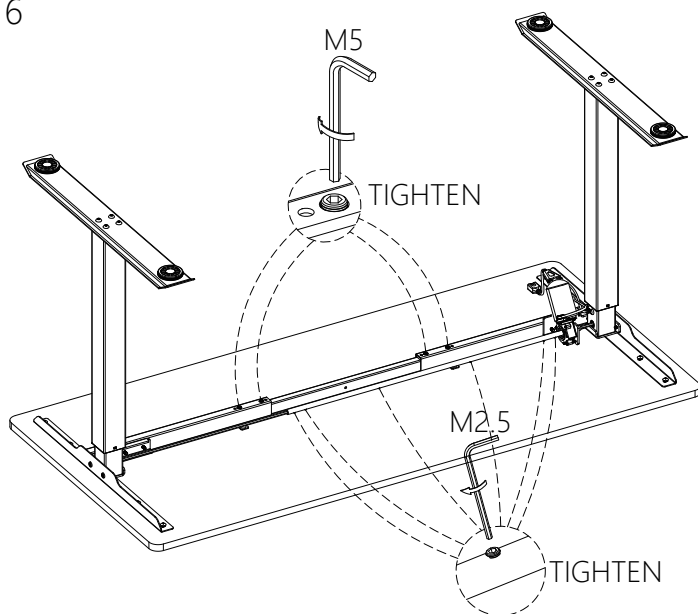


INSTALLATION INSTRUCTION

STEP 5




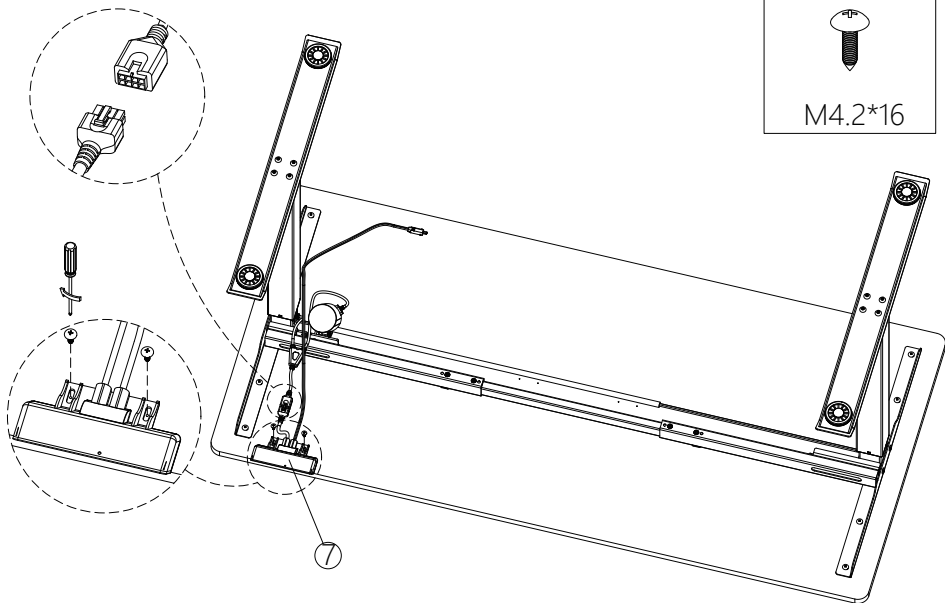
STEP 6



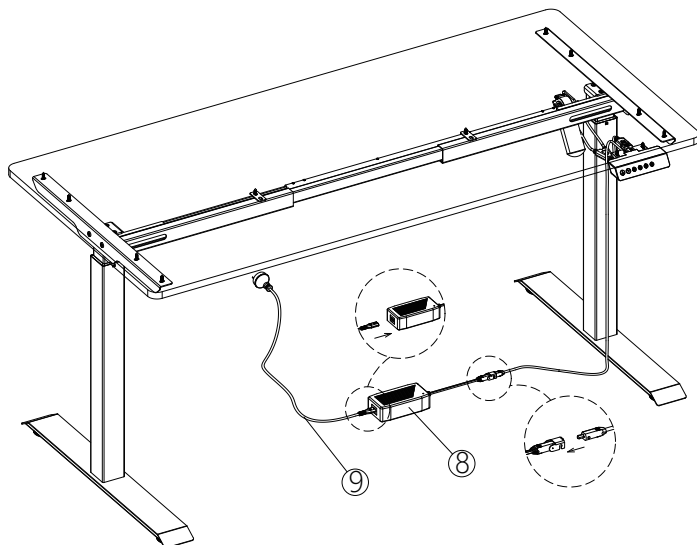
INSTALLATION INSTRUCTION

STEP 7

C QTY:2

M4.2*16



STEP 8



DIRECTIONS FOR USE

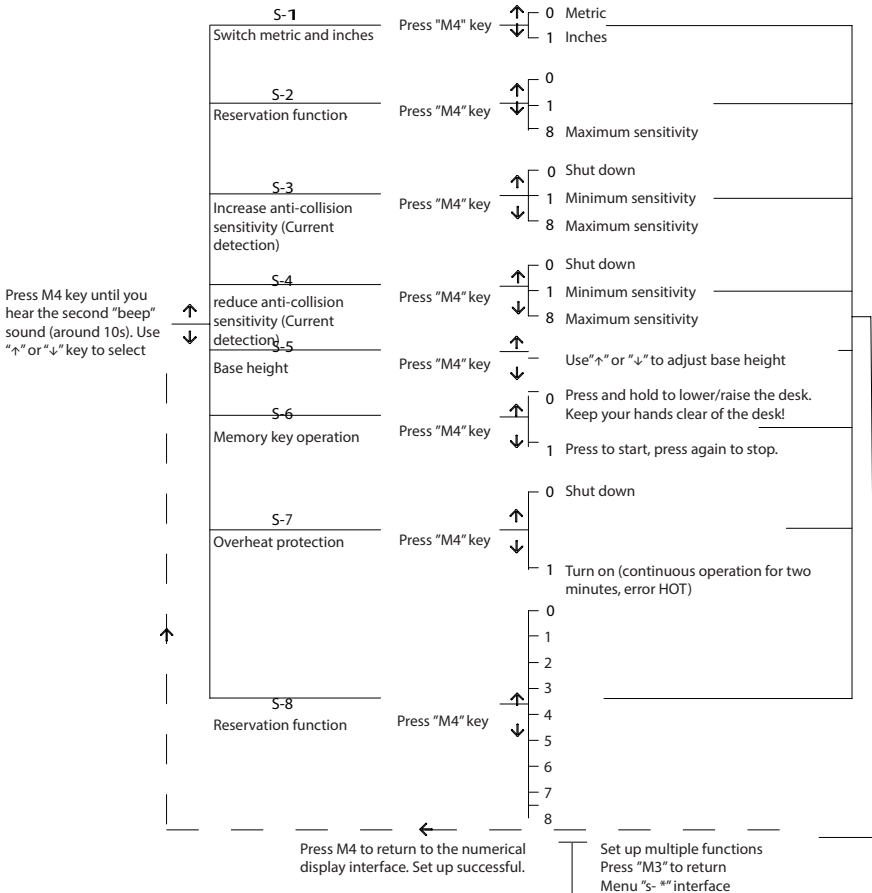
■ Advanced function settings

Limited height setting: Press "↑" and "↓" key for 5 seconds until you hear a buzz sound. The limited height is set.

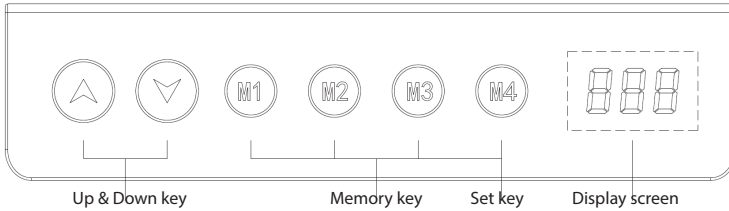
(Minimum limited height <96, maximum limited height >97).

Cancel function: run to the limit height, press "↑" and "↓" for 5 seconds, until you hear the buzz sound. Limited height is cancelled.

Lock and unlock: Press "↑" and "M4" key for 5 seconds, screen display "LOC", system is now locked. Press "↑" and "M4" key for 5 seconds, screen display "LOC" turns to a number, system is now unlocked.



DIRECTIONS FOR USE



The handset surface is a button panel. If no button is pressed within 30 seconds, the screen auto-locks and corresponding M1/M2/M3/M4 keys are locked. Press Up or Down key to re-activate the display screen.

Display screen

Displays the height of the desk.

Up & Down keys

Press UP/DOWN key to adjust desk height until you reach optimal position.

Memory keys M1/M2/M3/M4

After setting the memory keys, the desk can automatically be raised to set memory height.

How to set memory mode

Hold down any of the M1/M2/M3/M4 keys for 5 seconds until you hear the “beep” sound. The height is now memorized. Press the same button again and the desk moves to the set height automatically.

Set key (M4)

Press the “M4” key when internal parameters need to be set.

Initialization

- When “RST” appears on the screen, press the “↓” button until the desk frame reaches its lowest point. Initialization is complete when the desk frame rebounds and the beep sounds.
(Note! Hold the button down during the whole operation or the initialization will not be completed successfully)
- Forced initialization: Press the “↓” button until the desk frame reaches its lowest point, then release the button and press it again for about 5 seconds until you hear the beep and the desk rises again. Initialization is complete.
- Restore factory settings: When a new controller is used or the parameters need to be restored to factory settings, press the “↓” and “↑” buttons simultaneously. You will hear the first beep after about 5 seconds and second beep sound after 10 seconds. When the display screen shows “RST”, follow the operating instructions in item 1.

Safety Function

If something obstructs the desk’s upward or downward motion, the desk will stop mid-motion.

Handset shows error code and solution

Error code	Cause of error	Solution
E01, E06, E07	power error	change power source
E04	handset error	unplug and reinsert handset cable
E05	anti-collision alert	rebound reminder, normal condition
E08	desktop sloping	check the desktop
E11	connection cable failure	check the connecting cable
E12	controller error	change the controller
E14~E17	motor error	change motor
E18	overload	reduce the load
HOT	Overheating	Stops. Automatic recovery after 20 minutes

EU Declaration of Conformity

1. Product model: 600602, 600702, 600802

2. Name and address of the manufacturer or his authorised representative:

Fridstiernan AB/SUN-FLEX
Logistikvägen 6
438 70 Landvetter, Sweden

3. This declaration of conformity is issued under the sole responsibility of the manufacturer.

4. Object of the declaration:

Equipment: Height adjustable desk frame
Brand name: SUN-FLEX
Model/type: 600602, 600702, 600802

5. The object of the declaration described above is in conformity with the relevant Union harmonization legislation:

Low Voltage Directive (LVD) 2014/35/EU
Electromagnetic Compatibility Directive (EMC) 2014/30/EU
Restriction of Hazardous Substances (RoHS) Directive 2011/65/EU

6. References to the relevant harmonised standards used or references to the other technical specifications in relations to which conformity is declared:

LVD: EN 60335-2-2012
EN 60335-2-7:2010

EMC: EN 55014-1:2006 + A1:2009 + A2:2011
EN 55014-2:1997 + A1:2001 + A2:2008

RoHS: EN 50581:2012

7. Signed for and on behalf of:

Landvetter 2022-12-05

Manufacturer Fridstiernan AB/SUN-FLEX

Joakim Persson

SUN-FLEX



Logistikvägen 6, SE-438 70 Landvetter, Sweden
Tel: +46 322 127 00
info@sun-flex.com
www.sun-flex.com