

SUN-FLEX® GravityStand

SUN-FLEX

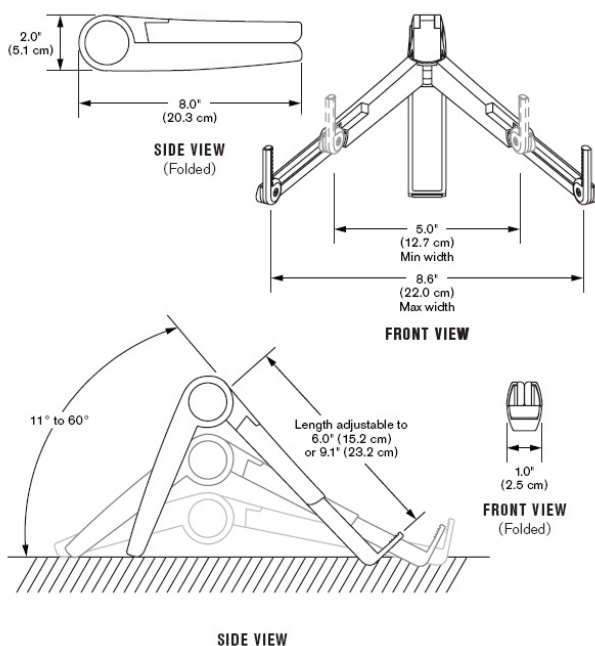
Active Workplaces



PRODUCT INFORMATION

Working ergonomically even when working with a laptop and tablet is becoming more and more important. More and more people work remotely from home, the summer place or the nearest café, this means that the challenges of creating a good workplace increase.

SUN-FLEX® GravityStand is a flexible, portable and stylish solution that facilitates placement, height and angle of your computer or tablet. Thanks to the design, you can set both angle, height and length, which provides great variation and it fits laptops and tablets.



The open construction also provides ventilation, which increases the life of the portable devices.

Getting the screen at the right height and angle is important in an office as well as at home!



SUN-FLEX® GravityStand is small and flexible and easy to carry in the bag in the included case.

SPECIFICATIONS

- | | | | |
|-------------|--------------------------|---------------|---|
| • Material: | Metal, solid ABS plastic | • Adjustable: | Yes, angle, height and length |
| • Size: | See table | • Case: | Yes, included |
| • Weight: | 250 grams | • Packaging: | Single, transport packaging of 45 pcs. |
| • Color: | Black / silver | • Art.no.: | 100122: SUN-FLEX® GravityStand
(GTIN13: 7350042900671) |

SUN-FLEX® is a corporation with focus on developing, manufacturing and distribution of products for the modern office workplace. With over 30 years of experience and understanding of the modern office workplace, SUN-FLEX® has gained a respected leadership position in the industry.

SUN-FLEX
Tegelbruksvägen 1
SE-517 91 Bollebygd, Sweden
Tel +46 322 127 00
info@sun-flex.com
www.sun-flex.com